

1

2

3

4

5

REVISION TABLE

REV	ECN#	DESCRIPTION	REV BY	APPROVED	DATE
---	---	Original Drawing	OOG	MPW	11-9-18

A

A

B

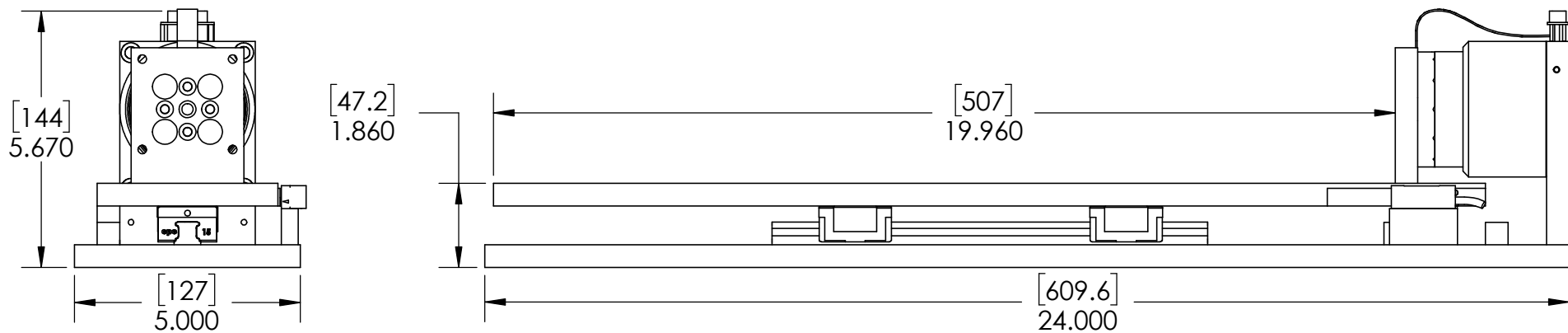
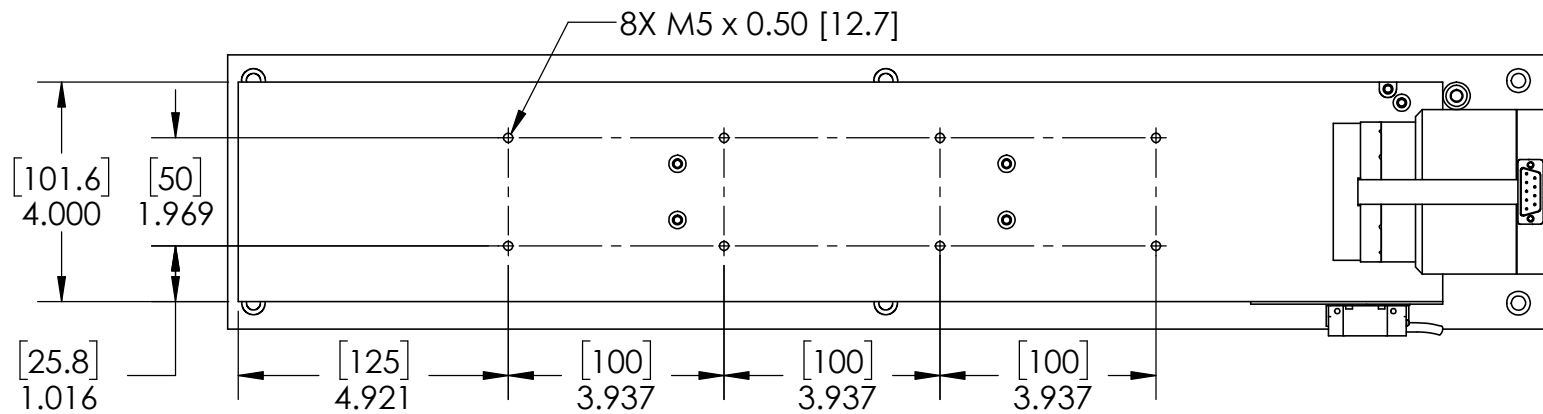
B

C

C

D

D



H2W Technologies, Inc.
 Santa Clarita, CA 91350 USA
 Tel: (661) 291-1620
www.h2wtech.com

These drawings and specifications are the property of H2W Technologies, Inc. They are issued in confidence and shall not be reproduced, copied, or used without written permission from H2W Technologies, Inc.

UNLESS SPECIFIED OTHERWISE:
 All dimensions are in inches
 Standard Tolerances are as follows
 .XXX ±.005 ANGLES ±.1°
 .XX ±.010 FILLETS .010
 .X ±.020 CORNERS .010
 Remove All Burrs and Sharp Edges

**FOR
 REFERENCE
 ONLY**

MATERIAL
 FINISH

TITLE

**Voice Coil Positioning Stage
 Model #: VCS13-108-LB-01-MCL**

DWG # **31-0864**
 REV ----
 DATE 11-9-18 SHEET 1 of 3

1

2

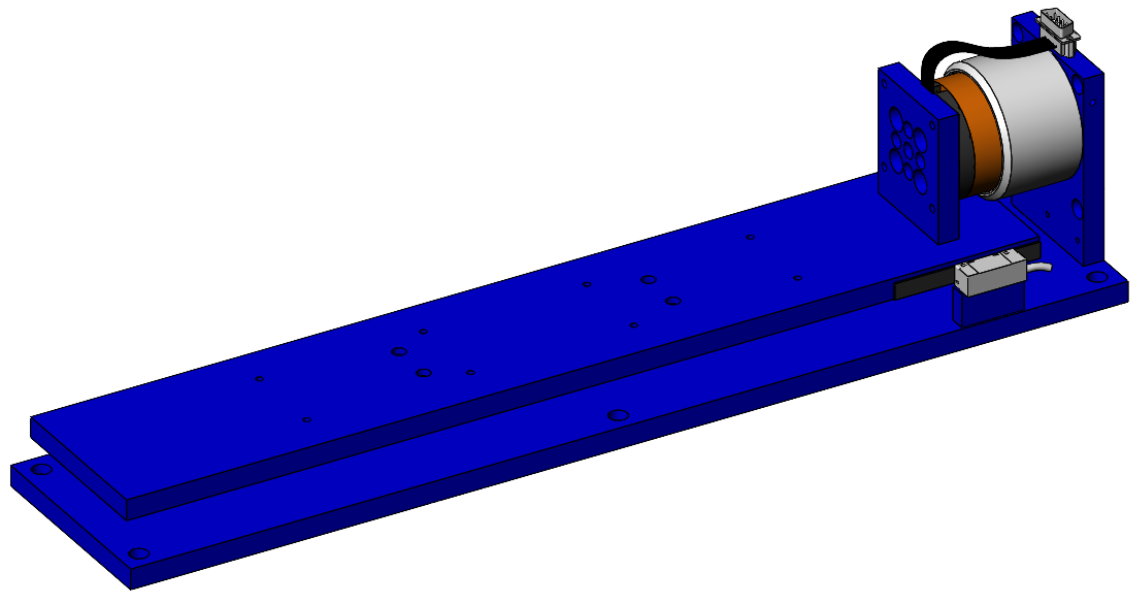
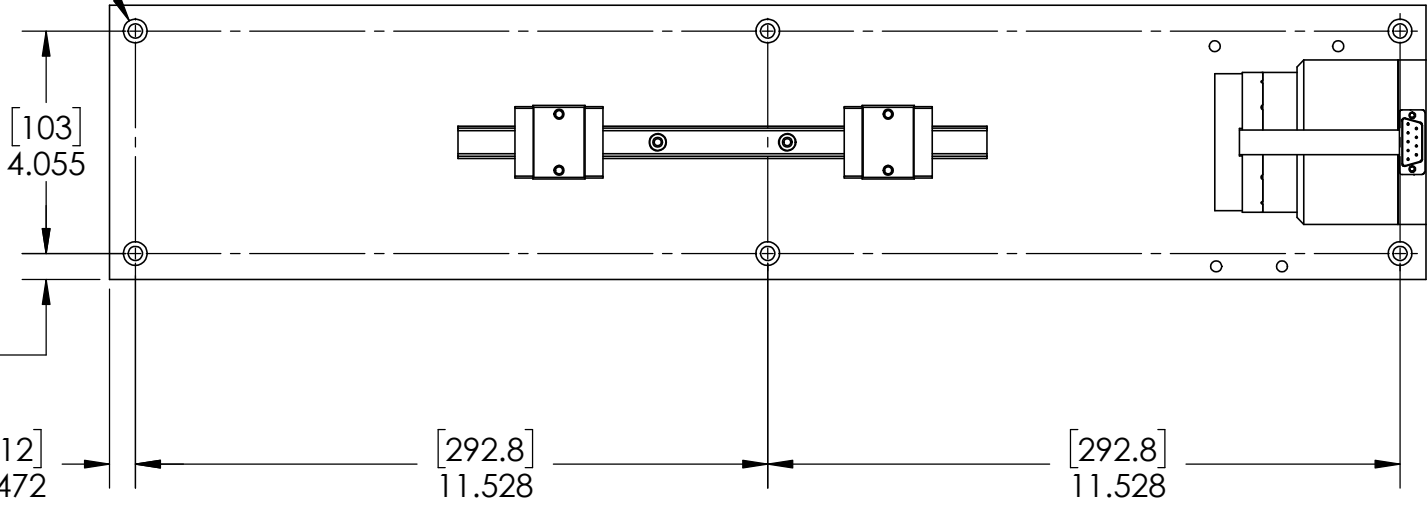
3

4

5

PARTS HAVE BEEN HIDDEN TO SHOW STAGE MOUNTING HOLES

6X M6 C'Bore



1

2

3

4

5

A

A

MOVING COIL NON-COMM ACTUATOR SPECIFICATIONS

Motor P/N	NCC13-30-108-1H	
Stroke	1.25"	31.8 mm
Encoder Resolution	1 micron	
Bearing Type	Linear Bearing	
Moving Mass	5.7 lbs	2.6 kg
Total Mass	14.3 lbs	6.5 kg
Resistance @ 20C	4.8 ohms	
Inductance @ 20C	4.1 mH	
Electrical Time Constant	0.9 msec	
Motor Constant	2.3 LBS/SQRT(Watt)	7.6 N/SQRT(Watt)
Force Constant	5.0 LBS/Amp	22.3 N/Amp
Back EMF	0.5 V/ips	22.3 V/m/sec
Continuous Force	10.8 LBS	48 N
Max Power @ 100% Duty	23 Watts	
Peak Force	32.4 LBS	144 N
Max Power @ 10% Duty	200 Watts	

B

B

C

C

D

D



H2W Technologies, Inc.
 Santa Clarita, CA 91350 USA
 Tel: (661) 291-1620
www.h2wtech.com

These drawings and specifications are the property of H2W Technologies, Inc. They are issued in confidence and shall not be reproduced, copied, or used without written permission from H2W Technologies, Inc.

UNLESS SPECIFIED OTHERWISE:
 All dimensions are in inches
 Standard Tolerances are as follows
 .XX ±.005 ANGLES ±.1°
 .XX ±.010 FILLETS .010
 .X ±.020 CORNERS .010
 Remove All Burrs and Sharp Edges

**FOR
 REFERENCE
 ONLY**

MATERIAL

FINISH

TITLE

**Voice Coil Positioning Stage
 Model #: VCS13-108-LB-01-MCL**

DWG #

31-0864

REV

DATE

11-9-18

SHEET

3 of 3